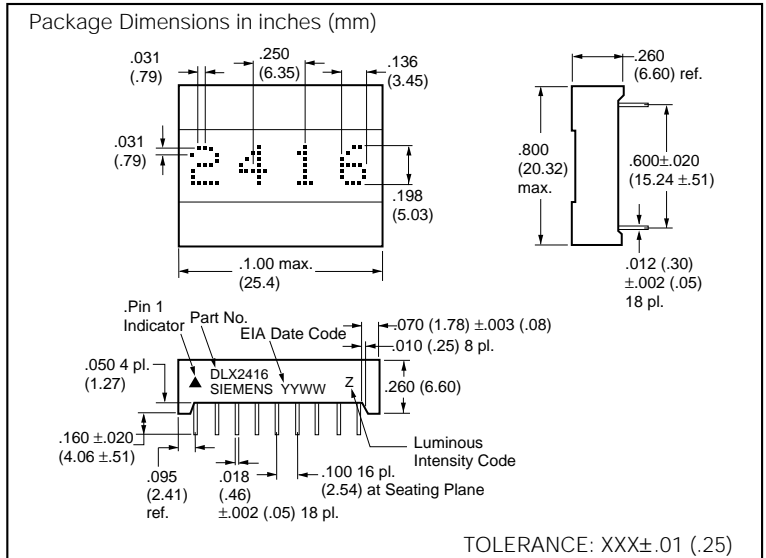
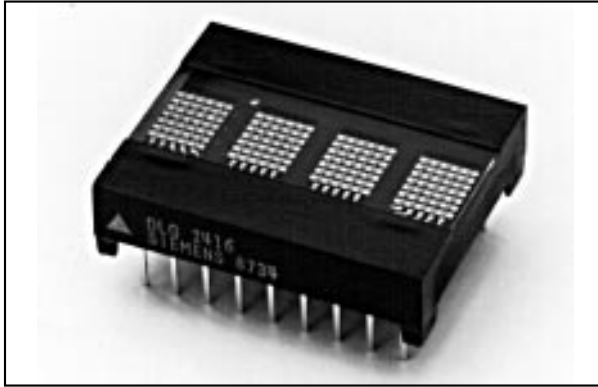


# SIEMENS

# RED DLR2416 HIGH EFFICIENCY RED DLO2416 GREEN DLG2416

## .200" 4-Character 5x7 Dot Matrix Alphanumeric Intelligent Display® with Memory/Decoder/Driver



### FEATURES

- Dot Matrix Replacement for DL2416T
- 0.200" 5 x 7 Dot Matrix Characters
- 128 Special ASCII Characters for English, German, Italian, Swedish, Danish, and Norwegian Languages
- Wide Viewing Angle: X Axis 50° Maximum, Y Axis ±75° Maximum
- Close Multi-line Spacing, 0.8" Centers
- Fast Access Time, 110 ns at 25°C
- Full Size Display for Stationary Equipment
- Built-in Memory
- Built-in Character Generator
- Built-in Multiplex and LED Drive Circuitry
- Direct Access to Each Digit Independently and Asynchronously
- Independent Cursor Function
- Memory Function: Clears Character and Cursor Memory Simultaneously
- True Blanking for Intensity Dimming Applications
- End-Stackable, 4-Character Package
- Intensity Coded for Display Uniformity
- Extended Operating Temperature Range: -40°C to +85°C
- Superior ESD Immunity
- Wave Solderable
- TTL Compatible over Operating Temperature Range
- Interdigit Blanking

### DESCRIPTION

The DLR/DLO/DLG2416 is a four digit 5x7 dot matrix display module with a built-in CMOS integrated circuit. This display is X/Y stackable.

The integrated circuit contains memory, ASCII ROM decoder, multiplexing circuitry and drivers. Data entry is asynchronous and can be random. A display system can be built using any number of DLX2416s since each digit can be addressed independently and will continue to display the character last stored until replaced by another.

System interconnection is very straightforward. The least significant two address bits (A0, A1) are normally connected to the like-named inputs of all displays in the system. With two chip enables ( $\overline{CE1}$  and  $\overline{CE2}$ ) four displays (16 characters) can easily be interconnected without a decoder.

Data lines are connected to all DLX2416s directly and in parallel, as is the write line ( $\overline{WR}$ ). The display will then behave as a write-only memory.

The cursor function causes all dots of a digit position to illuminate at half brightness. The cursor is not a character, and when removed the previously displayed character will reappear.

The DLX2416 has several features superior to competitive devices. True "blanking" allows the designer to dim the display for more flexibility of display presentation. Finally the  $\overline{CLR}$  clear function will clear the cursor RAM and the ASCII character RAM simultaneously.

The character set consists of 128 special ASCII characters for English, German, Italian, Swedish, Danish, and Norwegian.

All products are subjected to out-going AQL's of 0.25% for brightness matching, visual alignment and dimensions, 0.065% for electrical and functional.

### Maximum Ratings

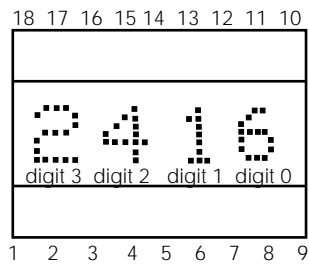
DC Supply Voltage	-0.5 V to +7.0 Vdc
Input Voltage, Respect to GND (all inputs)	-0.5 V to $V_{CC} + 0.5$ Vdc
Operating Temperature	-40°C to +85°C
Storage Temperature	-40°C to +100°C
Relative Humidity at 85°C	85%
Maximum Solder Temperature, 0.063" (1.59 mm) below Seating Plane, t<5 sec	260 °C

### Optical Characteristics

Spectral Peak Wavelength	
Red	660 nm typ.
HER	630 nm typ.
Green	565 nm typ.
Character Height 0.200" (5.08 mm)	
Time Averaged Luminous Intensity <sup>(1)</sup> at $V_{CC}=5$ V	
Red	60 $\mu$ cd/LED typ.
HER	100 $\mu$ cd/LED typ.
Green	120 $\mu$ cd/LED typ.
LED to LED Intensity Matching at $V_{CC}=5$ V 1.8:1.0 max.	
LED to LED Hue Matching (Green only) at $V_{CC}=5$ V $\pm 2$ nm max.	
Viewing Angle (off normal axis)	
Horizontal	$\pm 50^\circ$ max.
Vertical	$\pm 75^\circ$ max.

Note 1: Peak luminous intensity values can be calculated by multiplying these values by 7.

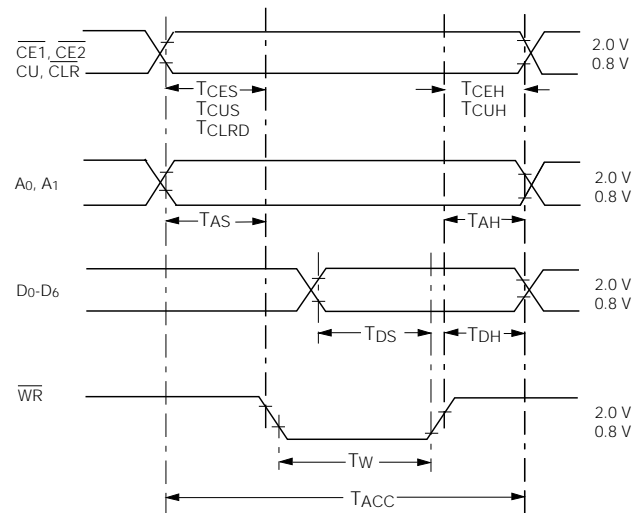
Figure 1. Top View



### Pins and Functions

Pin	Function	Pin	Function
1	$\overline{CE1}$ Chip Enable	10	GND
2	$\overline{CE2}$ Chip Enable	11	D0 Data Input
3	$\overline{CLR}$ Clear	12	D1 Data Input
4	CUE Cursor Enable	13	D2 Data Input
5	CU Cursor Select	14	D3 Data Input
6	$\overline{WR}$ Write	15	D6 Data Input
7	A1 Digit Select	16	D5 Data Input
8	A0 Digit Select	17	D4 Data Input
9	$V_{CC}$	18	$\overline{BL}$ Display Blank

Figure 2. Timing characteristics —Write Cycle waveforms



Note: These waveforms are not edge triggered.

### DC Characteristics

Parameter	-40°C			+25°C			+85°C			Units	Condition
	Min.	Typ.	Max.	Min.	Typ.	Max.	Min.	Typ.	Max.		
$I_{CC}$ 80 dots on		135	160		110	130		95	115	mA	$V_{CC}=5$ V
$I_{CC}$ Cursor all dots at 50%			135			100			100	mA	$V_{CC}=5$ V
$I_{CC}$ Blank		2.8	4.0		2.3	3.0		2.0	2.5	mA	$V_{CC}=5$ V, $\overline{BL}=0.8$ V
$I_{IL}$ (all inputs)	30	60	120	25	50	100	20	40	80	$\mu$ A	$V_{IN}=0.8$ V, $V_{CC}=5$ V
$V_{IH}$ (all inputs)	2.0			2.0			2.0			V	$V_{CC}=5$ V $\pm 0.5$ V
$V_{IL}$ (all inputs)			0.8			0.8			0.8	V	$V_{CC}=5$ V $\pm 0.5$ V
$V_{CC}$	4.5	5.0	5.5	4.5	5.0	5.5	4.5	5.0	5.5	V	

**AC Characteristics** Guaranteed Minimum Timing, Parameters at  $V_{CC}=5.0\text{ V} \pm 0.5\text{ V}$

Parameter	Symbol	-40°C	+25°C	+85°C	Unit
Chip Enable Set Up Time	$T_{CES}$	0	0	0	ns
Address Set Up Time	$T_{AS}$	10	10	10	ns
Cursor Set Up Time	$T_{CUS}$	10	10	10	ns
Chip Enable Hold Time	$T_{CEH}$	0	0	0	ns
Address Hold Time	$T_{AH}$	20	30	40	ns
Cursor Hold Time	$T_{CUH}$	20	30	40	ns
Clear Disable Time	$T_{CLR D}$	1	1	1	$\mu\text{s}$
Write Time	$T_W$	60	70	90	ns
Data Set Up Time	$T_{DS}$	20	30	50	ns
Data Hold Time	$T_{DH}$	20	30	40	ns
Clear Time	$T_{CLR}$	1	1	1	$\mu\text{s}$
Access Time	$T_{ACC}$	90	110	140	ns

Note:  $T_{ACC} = \text{Set Up Time} + \text{Write Time} + \text{Hold Time}$ .

**Loading Data Table**

Control							Address		Data								Display Digit			
$\overline{BL}$	$\overline{CE1}$	$\overline{CE2}$	CUE	$\overline{CU}$	$\overline{WR}$	$\overline{CLR}$	A1	A0	D6	D5	D4	D3	D2	D1	D0	3	2	1	0	
H	X	X	L	X	H	H	previously loaded display								G	R	E	Y		
H	H	X	L	X	X	H	X	X	X	X	X	X	X	X	X	G	R	E	Y	
H	X	H	L	X	X	H	X	X	X	X	X	X	X	X	X	G	R	E	Y	
H	L	L	L	H	L	H	L	L	H	L	L	L	H	L	H	G	R	E	E	
H	L	L	L	H	L	H	L	H	H	L	H	L	H	L	H	G	R	U	E	
H	L	L	L	H	L	H	H	L	H	L	H	H	L	L	G	L	U	E		
H	L	L	L	H	L	H	H	H	L	L	L	L	H	L	B	L	U	E		
L	X	X	X	X	H	H	X	X	blank display											
H	L	L	L	H	L	H	H	H	H	L	L	L	H	H	H	G	L	U	E	
H	X	X	L	X	H	L	X	X	clears character displays											
H	L	L	L	H	L	L	X	X	see character code								see character set			

X=don't care

**Loading Cursor Table**

																	Digit				
$\overline{BL}$	CE1	CE2	$\overline{CE3}$	$\overline{CE4}$	CUE	$\overline{CU}$	$\overline{WR}$	$\overline{CLR}$	A1	A0	D6	D5	D4	D3	D2	D1	D0	3	2	1	0
H	X	X	X	X	L	X	H	H	previously loaded display								B	E	A	R	
H	X	X	X	X	H	X	H	H	display previously stored cursors								B	E	A	R	
H	H	H	L	L	H	L	L	H	L	L	X	X	X	X	X	X	H	B	E	A	■
H	H	H	L	L	H	L	L	H	L	H	X	X	X	X	X	X	H	B	E	■	■
H	H	H	L	L	H	L	L	H	H	L	X	X	X	X	X	X	H	B	■	■	■
H	H	H	L	L	H	L	L	H	H	H	X	X	X	X	X	X	H	■	■	■	■
H	H	H	L	L	H	L	L	H	H	L	X	X	X	X	X	L	■	E	■	■	
H	X	X	X	X	L	X	H	H	disable cursor display								B	E	A	R	
H	H	H	L	L	L	L	L	H	H	H	X	X	X	X	X	X	L	B	E	A	R
H	X	X	X	X	H	H	X	H	display stored cursors								B	E	■	■	

X=don't care ■= all dots on

## Loading Data

Setting the chip enable ( $\overline{CE1}$ ,  $\overline{CE2}$ ) to their true state will enable data loading. The desired data code (D0-D6) and digit address (A0, A1) must be held stable during the write cycle for storing new data.

Data entry may be asynchronous and random. Digit 0 is defined as right hand digit with  $A1=A2=0$ .

To clear the entire internal four-digit memory hold the clear ( $\overline{CLR}$ ) low for 1  $\mu$ s. All illuminated dots will be turned off within one complete display multiplex cycle, 1 msec minimum. The clear function will clear both the ASCII RAM and the cursor RAM.

Setting the chip enables ( $\overline{CE1}$ ,  $\overline{CE2}$ ) and cursor select ( $\overline{CU}$ ) to their true state will enable cursor loading. A write ( $\overline{WR}$ ) pulse will now store or remove a cursor into the digit location addressed by A0, A1, as defined in data entry. A cursor will be stored if  $D0=1$  and will be removed if  $D0=0$ . The cursor ( $\overline{CU}$ ) pulse width should not be less than the write ( $\overline{WR}$ ) pulse or erroneous data may appear in the display.

If the cursor is not required, the cursor enable signal (CUE) may be tied low to disable the cursor function. For a flashing cursor, simply pulse CUE. If the cursor has been loaded to any or all positions in the display, then CUE will control whether the cursor(s) or the characters will appear. CUE does not affect the contents of cursor memory.

## Loading Cursor

Setting the chip enables ( $\overline{CE1}$ ,  $\overline{CE2}$ ) and cursor select ( $\overline{CU}$ ) to their true state will enable cursor loading. A write ( $\overline{WR}$ ) pulse will now store or remove a cursor into the digit location addressed by A0, A1, as defined in data entry. A cursor will be stored if  $D0=1$  and will be removed if  $D0=0$ . The cursor ( $\overline{CU}$ ) pulse width should not be less than the write ( $\overline{WR}$ ) pulse or erroneous data may appear in the display.

If the cursor is not required, the cursor enable signal (CUE) may be tied low to disable the cursor function. For a flashing cursor, simply pulse CUE. If the cursor has been loaded to any or all positions in the display, then CUE will control whether the cursor(s) or the characters will appear. CUE does not affect the contents of cursor memory.

## Display Blanking

Blanking the display may be accomplished by loading a blank or space into each digit of the display or by using the ( $\overline{BL}$ ) display blank input.

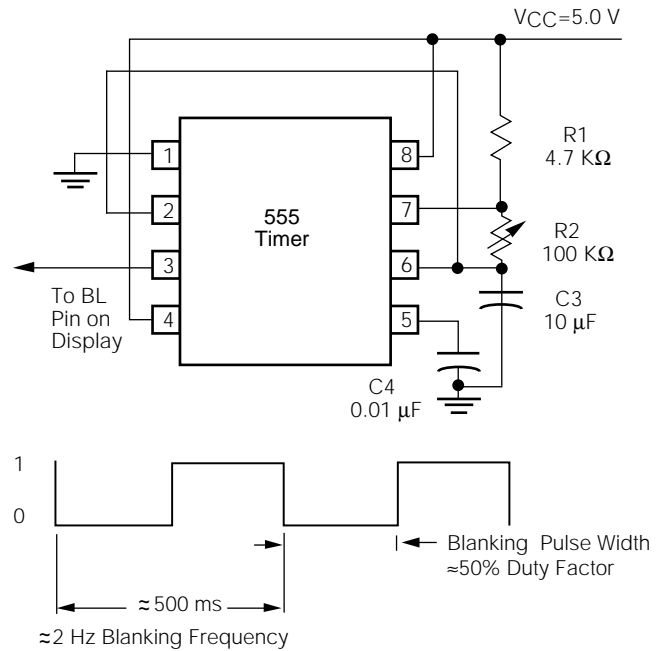
Setting the ( $\overline{BL}$ ) input low does not affect the contents of either data or cursor memory.

A flashing circuit can easily be constructed using a 555 astable multivibrator. Figure 3 illustrates a circuit in which varying R2 (100K~10K) will have a flash rate of 1 Hz~10 Hz.

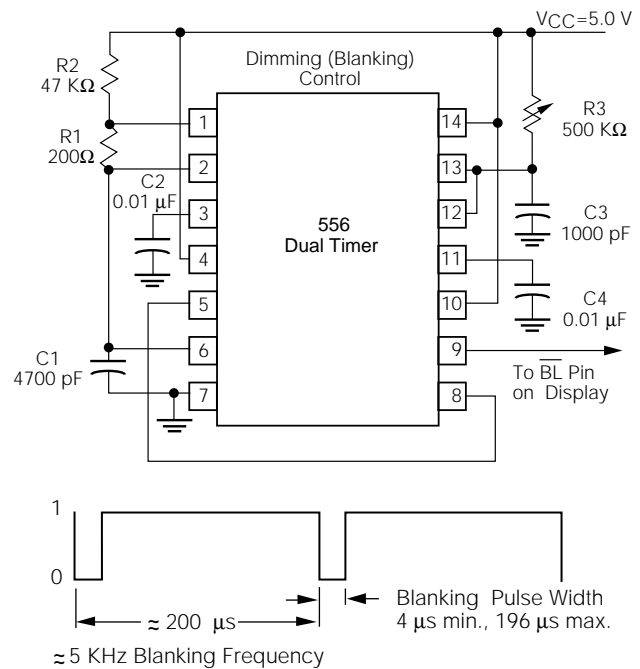
The display can be dimmed by pulse width modulating the (BL) at a frequency sufficiently fast to not interfere with the internal clock. The dimming signal frequency should be 2.5 KHz or higher. Dimming the display also reduces power consumption.

An example of a simple dimming circuit using a 556 is illustrated in Figure 4. Adjusting potentiometer R3 will dim the display by changing the blanking pulse duty cycle.

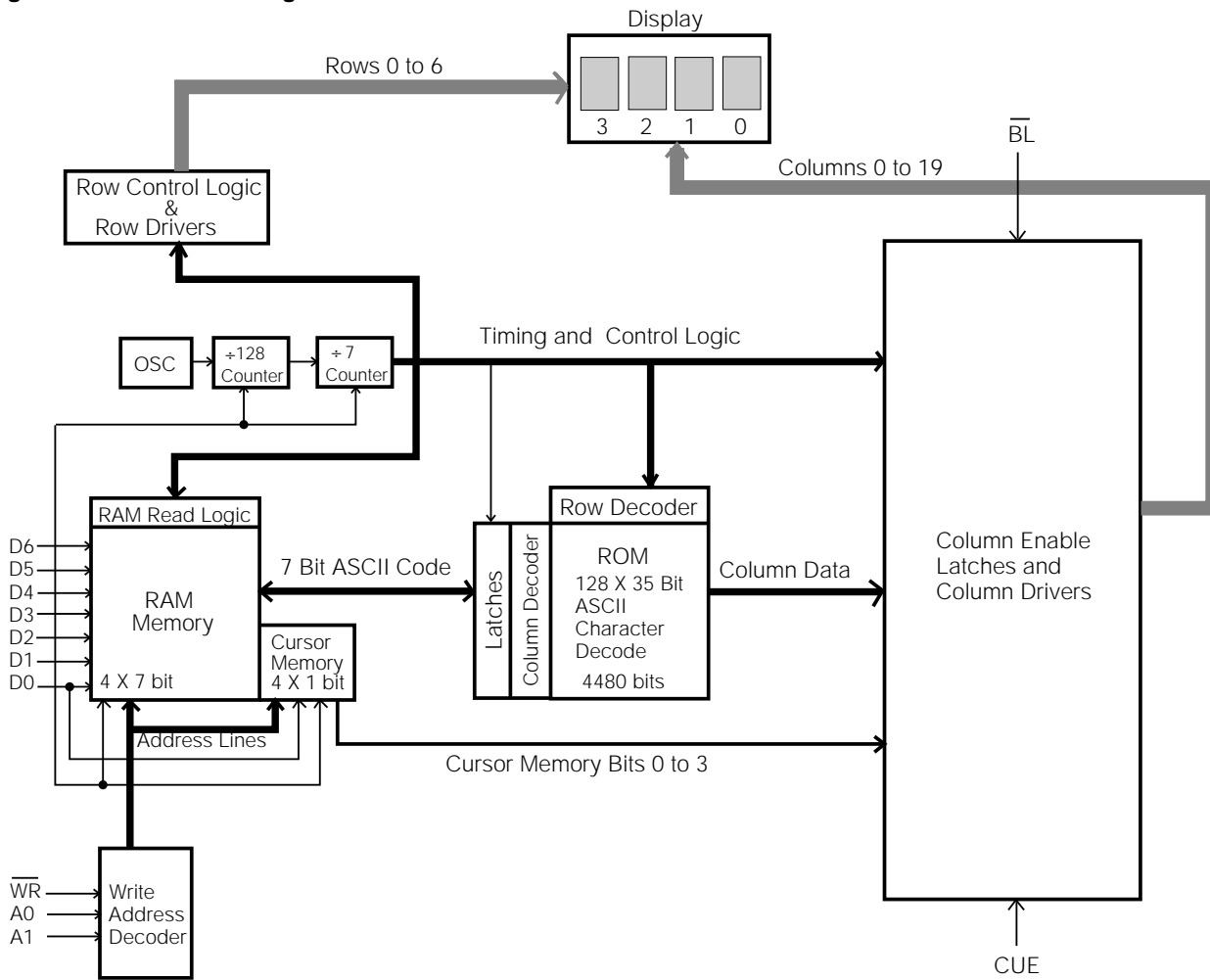
**Figure 3. DLX2416—Flashing circuit using a 555 and Blanking (Blanking) timing**



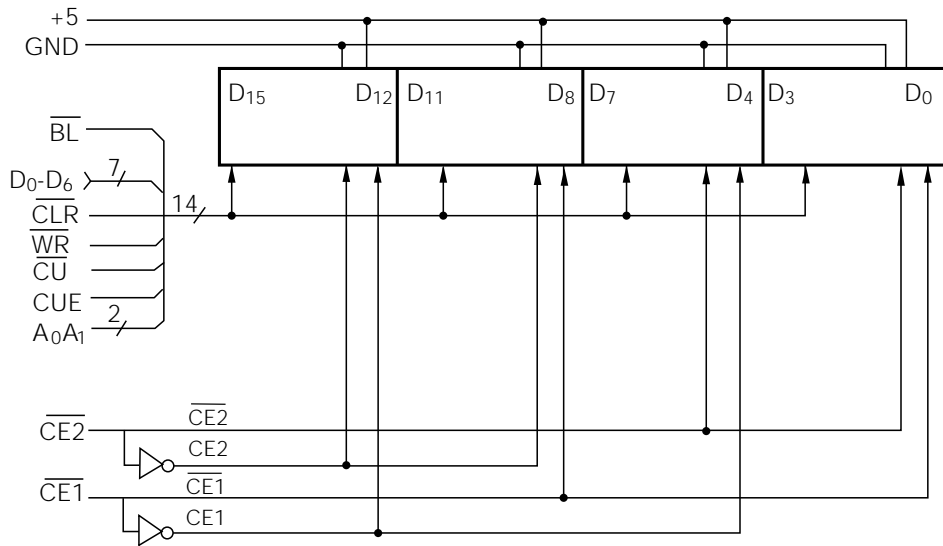
**Figure 4. DLX2416 Dimming circuit using a 556 and Dimming (Blanking) timing**



**Figure 5. Internal block diagram**



**Figure 6. Typical schematic—16-character system**



## Design Considerations

For details on design and applications of the DLX2416 using standard bus configurations in multiple display systems, or parallel I/O devices, such as the 8255 with an 8080 or memory mapped addressing on processors such as the 8080, Z80, 6502, or 6800, refer to Appnote 15 in the current Siemens Optoelectronics Data Book.

## Electrical and Mechanical Considerations Voltage Transient Suppression

We recommend that the same power supply be used for the display and the components that interface with the display to avoid logic inputs higher than  $V_{CC}$ . Additionally, the LEDs may cause transients in the power supply line while they change display states. The common practice is to place .01 mF capacitors close to the displays across VCC and GND, one for each display, and one 10 mF capacitor for every second display.

## ESD Protection

The silicon gate CMOS IC of the DLX2416 is quite resistant to ESD damage and capable of withstanding discharges greater than 2 KV. However, take all the standard precautions, normal for CMOS components. These include properly grounding personnel, tools, tables, and transport carriers that come in contact with unshielded parts. If these conditions are not, or cannot be met, keep the leads of the device shorted together or the parts in anti-static packaging.

## Soldering Considerations

The DLX2416 can be hand soldered with SN63 solder using a grounded iron set to 260°C.

Wave soldering is also possible following these conditions: Preheat that does not exceed 93°C on the solder side of the PC board or a package surface temperature of 85°C. Water soluble organic acid flux (except carboxylic acid) or resin-based RMA flux without alcohol can be used.

Wave temperature of 245°C  $\pm$ 5°C with a dwell between 1.5 sec. to 3.0 sec. Exposure to the wave should not exceed temperatures above 260°C for five seconds at 0.063" below the seating plane. The packages should not be immersed in the wave.

## Post Solder Cleaning Procedures

The least offensive cleaning solution is hot D.I. water (60°C) for less than 15 minutes. Addition of mild saponifiers is acceptable. Do not use commercial dishwasher detergents.

For faster cleaning, solvents may be used. Carefully select any solvent as some may chemically attack the nylon package. Maximum exposure should not exceed two minutes at elevated temperatures. Acceptable solvents are TF (trichlorofluorethane), TA, 111 Trichloroethane, and unheated acetone.

Note: Acceptable commercial solvents are: Basic TF, Arklone, P. Genesolv, D. Genesolv DA, Blaco-Tron TF, Blaco-Tron TA, and Freon TA.

Unacceptable solvents contain alcohol, methanol, methylene chloride, ethanol, TP35, TCM, TMC, TMS+, TE, or TES. Since many commercial mixtures exist, contact a solvent vendor for chemical composition information. Some major solvent manufacturers are: Allied Chemical Corporation, Specialty Chemical Division, Morristown, NJ; Baron-Blakeslee, Chicago, IL; Dow Chemical, Midland, MI; E.I. DuPont de Nemours & Co., Wilmington, DE.

For further information refer to Siemens Appnotes 18 and 19.

An alternative to soldering and cleaning the display modules is to use sockets. Standard pin DIP sockets .600" wide with 0.100" centers work well for single displays. Multiple display assemblies are best handled by longer SIP sockets or DIP sockets when available for uniform package alignment. Socket manufacturers are Aries Electronics, Inc., Frenchtown, NJ; Garry Manufacturing, New Brunswick, NJ; Robinson-Nugent, New Albany, IN; and Samtec Electronic Hardware, New Albany, IN.

For further information refer to Siemens Appnote 22.

## Optical Considerations

The 0.200" high characters of the DLX2416 gives readability up to eight feet. Proper filter selection enhances readability over this distance.

Filters enhance the contrast ratio between a lit LED and the character background intensifying the discrimination of different characters. The only limitation is cost. Take into consideration the ambient lighting environment for the best cost/benefit ratio for filters.

Incandescent (with almost no green) or fluorescent (with almost no red) lights do not have the flat spectral response of sunlight. Plastic band-pass filters are an inexpensive and effective way to strengthen contrast ratios.

The DLR2416 is a standard red display and should be matched with long wavelength pass filter in the 600 nm to 620 nm range. The DLO2416 is a high efficiency red display and should be matched with a long wavelength pass filter in the 470 nm to 590 range. The DLG2416 should be matched with a yellow-green band-pass filter that peaks at 565 nm. For displays of multiple colors, neutral density gray filters offer the best compromise.

Additional contrast enhancement is gained by shading the displays. Plastic band-pass filters with built-in louvers offer the next step up in contrast improvement. Plastic filters can be improved further with anti-reflective coatings to reduce glare. The trade-off is fuzzy characters. Mounting the filters close to the display reduces this effect. Take care not to over-heat the plastic filter by allowing for proper air flow.

Optimal filter enhancements are gained by using circular polarized, anti-reflective, band-pass filters. Circular polarizing further enhances contrast by reducing the light that travels through the filter and reflects back off the display to less than 1%.

Several filter manufacturers supply quality filter materials. Some of them are: Panelgraphic Corporation, W. Caldwell, NJ; SGL Homalite, Wilmington, DE; 3M Company, Visual Products Division, St. Paul, MN; Polaroid Corporation, Polarizer Division, Cambridge, MA; Marks Polarized Corporation, Deer Park, NY; Hoya Optics, Inc., Fremont, CA.

One last note on mounting filters: recessing displays and bezel assemblies is an inexpensive way to provide a shading effect in overhead lighting situations. Several Bezel manufacturers are: R.M.F. Products, Batavia, IL; Nobex Components, Griffith Plastic Corp., Burlingame, CA; Photo Chemical Products of California, Santa Monica, CA; .E.E.-Atlas, Van Nuys, CA.

Refer to Siemens Appnote 23 for further information.

**Character Set**

ASCII CODE				D0	0	1	0	1	0	1	0	1	0	1	0	1	0	1			
				D1	0	0	1	1	0	0	1	1	0	0	1	1	0	0	1	1	
				D2	0	0	0	0	0	1	1	1	1	0	0	0	0	1	1	1	1
				D3	0	0	0	0	0	0	0	0	0	1	1	1	1	1	1	1	1
D6	D5	D4	HEX	0	1	2	3	4	5	6	7	8	9	A	B	C	D	E	F		
0	0	0	0	!	@	A	B	C	D	E	F	G	H	I	J	K	L	M	N		
0	0	1	1	O	P	Q	R	S	T	U	V	W	X	Y	Z	[	]	^	_		
0	1	0	2	`	a	b	c	d	e	f	g	h	i	j	k	l	m	n	o		
0	1	1	3	p	q	r	s	t	u	v	w	x	y	z	{		}	~			
1	0	0	4	0	1	2	3	4	5	6	7	8	9	A	B	C	D	E	F		
1	0	1	5	P	Q	R	S	T	U	V	W	X	Y	Z	[	]	^	_	`		
1	1	0	6	a	b	c	d	e	f	g	h	i	j	k	l	m	n	o	p		
1	1	1	7	q	r	s	t	u	v	w	x	y	z	{		}	~				

1. High=1 level. 2. Low=0 level. 3. Upon power up, device will initialize in a random state.